

Calm Fan Series

Features

- Specially designed mixed-flow impeller ensures high airflow and low noise level.
- Built in backdraft damper.
- Suitable for installing within bathroom zones 1 and 2.*
- Complies with part L and part F of the Building Regulations.
- 5 year warranty.



Air Capacity:
up to 315 m³/h
88 l/s



Specific Fan Power (SFP):
Down to 0.215 w/l/s.

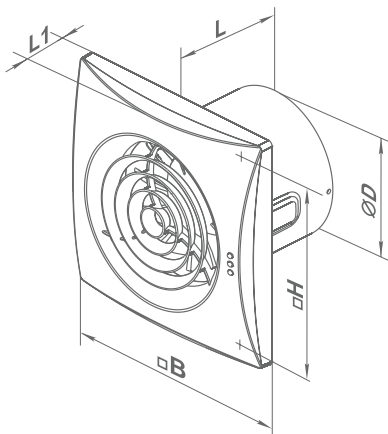


Sound Pressure Level:
From 25 dB(A).



Model Code	Size	Airflow [l/s]	Noise [dB(A)]	Control	Shutter	IP Rating	SFP [w/l/s]
CALM 100	100mm	27	25	Standard	✓	45	0.278
CALM 100 S	100mm	27	25	Pull-Cord	✓	45	0.278
CALM 100 T	100mm	27	25	Run-On Timer	✓	45	0.278
CALM 100 ST	100mm	27	25	Run-on Timer & Pull Cord	✓	45	0.278
CALM 100 H	100mm	27	25	Humidity Sensor	✓	45	0.278
CALM 100 IR	100mm	27	25	PIR Detector	✓	45	0.278
CALM 125	125mm	52	32	Standard	✓	45	0.33
CALM 125 S	125mm	52	32	Pull-Cord	✓	45	0.33
CALM 125 T	125mm	52	32	Run-On Timer	✓	45	0.33
CALM 125 ST	125mm	52	32	Run-on Timer & Pull Cord	✓	45	0.33
CALM 125 H	125mm	52	32	Humidity Sensor	✓	45	0.33
CALM 125 IR	125mm	52	32	PIR Detector	✓	45	0.33
CALM 150	150mm	88	33	Standard	✓	45	0.215
CALM 150 S	150mm	88	33	Pull-Cord	✓	45	0.215
CALM 150 T	150mm	88	33	Run-On Timer	✓	45	0.215
CALM 150 ST	150mm	88	33	Run-on Timer & Pull Cord	✓	45	0.215
CALM 150 H	150mm	88	33	Humidity Sensor	✓	45	0.215
CALM 150 IR	150mm	88	33	PIR Detector	✓	45	0.215

Dimensions



Model Code	Dimensions [mm]				
	ØD	B	H	L	L1
CALM 100	99	158	136	81	26
CALM 125	123.5	182	158	91	27
CALM 150	147.5	214	190	111	32